

Patriot Still

ABE
EQUIPMENT

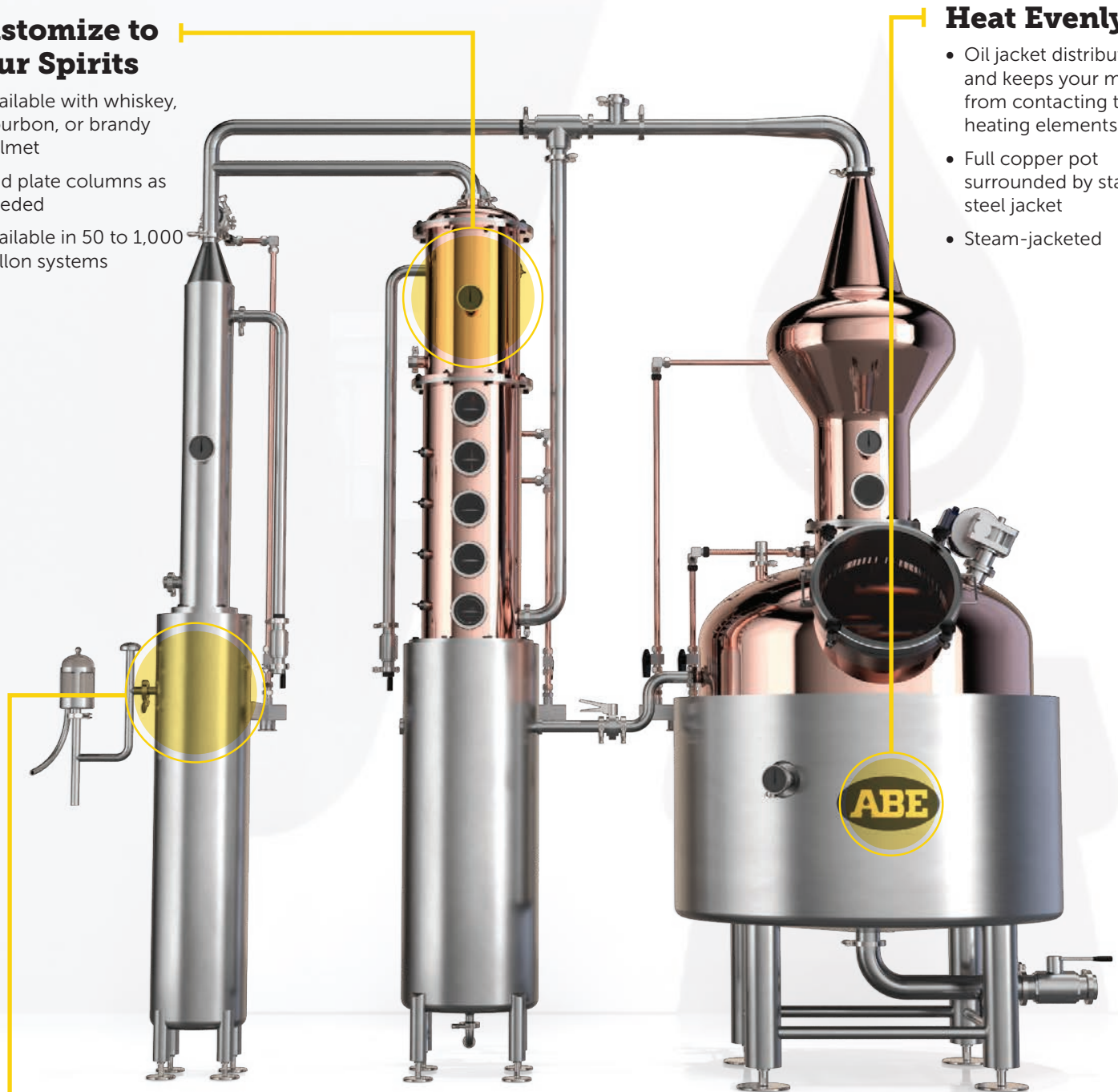
Patriot Craft Stills by ABE Equipment are a perfect solution for distillers searching for consistent results delivered with maximum flexibility. Our stills can operate as a pot or column still, and are surprisingly affordable, fully customized, and designed with craft distillers in mind. When you work with ABE Equipment, you'll be working with a partner dedicated to your profit and your safety. Our expert in-house engineering team has spent years developing the safest, most reliable range of compact craft spirit stills in the market.

Customize to Your Spirits

- Available with whiskey, bourbon, or brandy helmet
- Add plate columns as needed
- Available in 50 to 1,000 gallon systems

Heat Evenly

- Oil jacket distributes heat and keeps your mash from contacting the heating elements
- Full copper pot surrounded by stainless steel jacket
- Steam-jacketed



Change States

- Tube and shell heat exchanger takes your distillate from vapor back to a liquid
- Stainless steel tubing with a stainless steel shell for cooling liquid management

ABE
EQUIPMENT

VINIQUIP

Patriot Still

General Specifications

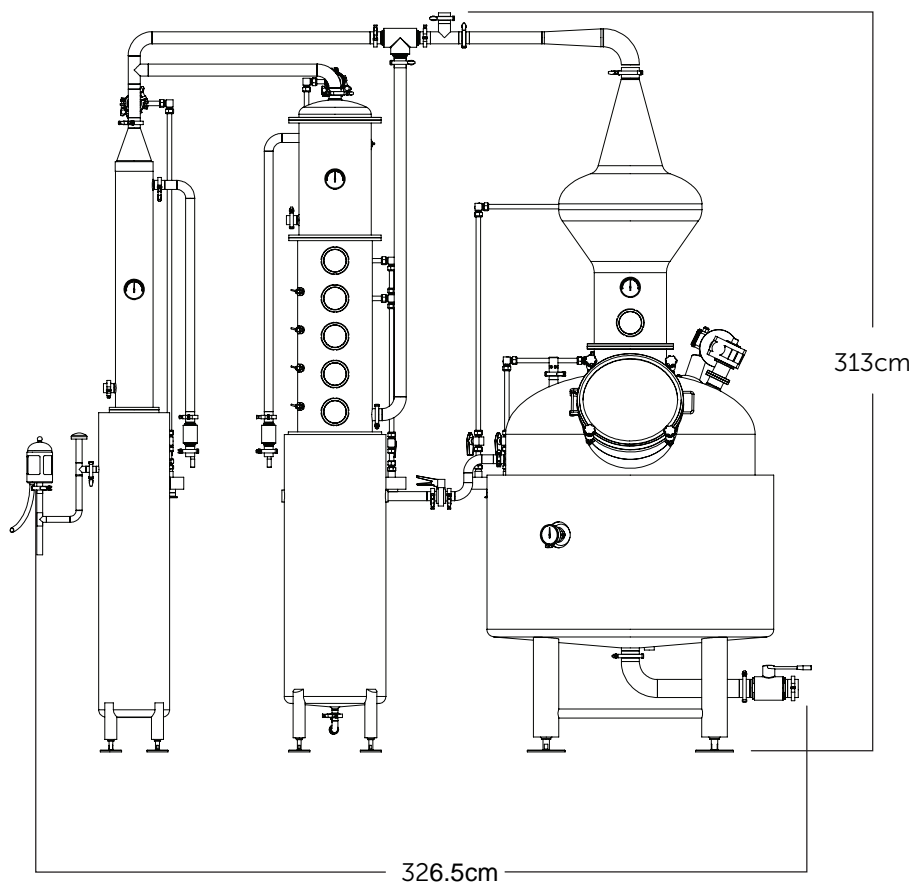
- Volume: From 125-1,000 gallons
- Base expectation yield of 10% wash*
- Heads: 0.75 oz per gallon of wash
- Hearts: 7%-7.5% of the 10% ABV wash
- Tails: 2%-2.5%
- Steam or electric heat
- 2" rupture disc 8 psi rating
- 5 psi pressure relief valve in boil pot
- Specifications may vary based on size and customization

Your Complete Package

Each Patriot Still that leaves our facility carries UL certification and an industry-leading five year limited warranty on the metal and welds. In addition to a comprehensive spare parts inventory, you'll receive superior customer support from our team in Lincoln, Nebraska with any ABE purchase.

Compatible Products

- Cellar Tanks
- TruPatriot Bottle Fillers
- CraftCan Canning Lines
- Labeling Systems



* Yield is also determined by what product the operator is producing. Different spirits dictate distillation proof.

* The output of the still is determined by the amount of alcohol percentage of the starting wash. We base yield off of a 10% ABV wash.

ABE Equipment reserves the right to change specification without notice. All specifications are approximate (+10). ©2022 ABE Equipment