



Delta TRE 300



Delta TRE 300

The mobile belt elevator enables :

- To feed destemmers, sorting tables, presses, maceration tanks... **with fresh grapes.**
- To feed presses with **macerated grapes.**
- To evacuate **stems and dried pomace.**



Hopper under destemmer (accessory)



Hopper at the end of sorting table (accessory)



Cleaning rubber below belt



Directional gully on swivel (option)

Robustness

- Exposed stainless steel framework of 304L – folded sheet thickness 20/10 – sand-blasted.
- Belt with curved brackets width : 300 mm. Height : 60 mm.
- Double-folded stiff belt – in compliance with the FDA Food Approval – with stainless steel staples.
- PVC bearings – Waterproof stainless steel rolling.
- On/Off button with a heat-proof system of the engine + 10 m. of wire.
- Delivered with 1 hopper to be used either under Delta E2 destemmer, under tank door or at the end of sorting table.

Adaptability

- Inclination of elevator is adjustable from 30° to 50° max. by means of hydraulic cylinders and manual pump.
- Stainless steel trolley with 4 DN 125 wheels with brakes – polyurethane shrouding.

Juice collection

- Juice collector all along the framework.
- Juice evacuation thanks to 1 DN 50 "Macon" with bakelite plug.

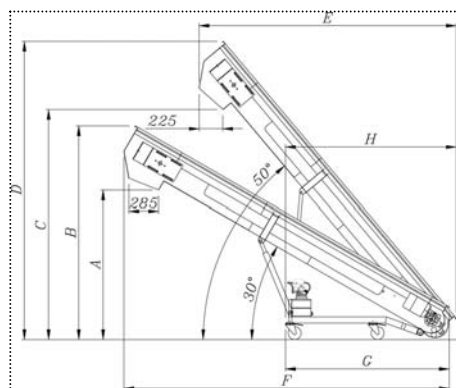
Easy cleaning

- Exposed stainless steel framework giving way to below belt.
- Cleaning rubber of below belt.

Technical characteristics

- Moto-reducer control unit of 0.75 kW located under the hopper.

	A	B	C	D	E	F	G	H
3 m	1435	2060	2210	2875	2475	3130	1720	1790
4 m	1940	2560	2970	3630	3130	4000	2200	2260
5 m	2440	3060	3745	4405	3760	4865	2610	2680



Options

- Motor equipped with a frequency variator.
- Flexible hose outlet length 700 mm.
- Directional gully with swivel length 1000 or 1500 mm.

Distributed by :

Bucher Vaslin MS

Espace Entreprise Méditerranée
Place A Nobel
F- 66600 Rivesaltes
Tel. +33 (0)4 68 38 23 90
Fax +33 (0)4 68 38 23 97
E-mail : contact-ms@buchervaslin.com

www.buchervaslin.com
Your success is our priority